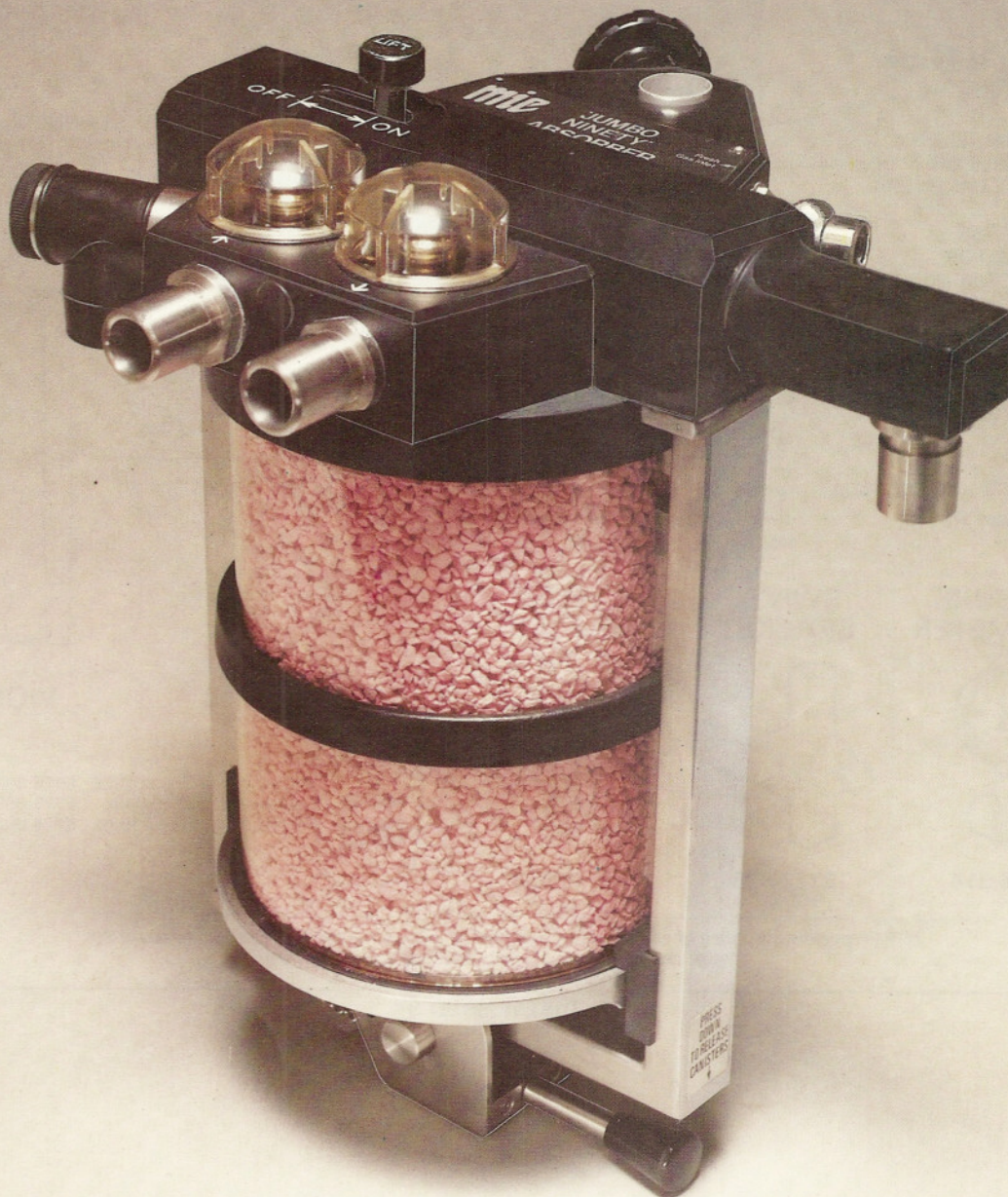


The MIE JUMBO '90'

CO₂ CIRCLE ABSORBER

mie



MIE HAVE DEVELOPED THE JUMBO '90' ABSORBER USING THE LATEST MATERIAL TECHNOLOGY AVAILABLE. IT COMPLIES WITH RECOGNISED INTERNATIONAL STANDARDS. THE JUMBO '90's ULTRA LIGHTWEIGHT CONSTRUCTION AND VERSATILITY MAKE IT COMPATIBLE FOR USE WITH MOST CURRENT ANAESTHETIC APPARATUS. THE INTERCHANGEABLE SODA LIME CANISTERS ARE SPECIALLY DESIGNED TO DISPERSE THE EXPIRED GASES UNIFORMLY, ENSURING MINIMAL RESISTANCE TO FLOW AND EFFICIENT, ECONOMICAL USE OF SODA LIME. THE ADJUSTABLE QUICK-RELEASE MECHANISM MAKES REFILLING THE REUSABLE CANISTERS OR FITTING DISPOSABLE PRE-FILLED CANISTERS A SIMPLE, FAST PROCEDURE.

POSITIVE SELF LOCKING
BYPASS SWITCH

EASY-VIEW ONE WAY
EXP & INSP VALVES

MIE SUPERLITE
EXHAUST VALVE
30mm OUTLET

STAINLESS STEEL
B.S./I.S.O. 22mm
INLET & OUTLET
TAPERS

REMOVABLE PLUG FOR
EASY CLEANING

ADJUSTABLE HEIGHT
FOR REUSABLE OR
DISPOSABLE CANISTERS

QUICK RELEASE
MECHANISM FOR
EASY CANISTER
CHANGE

HANDWHEEL LOCKING SCREW

25mm (1" DIA) FITTING

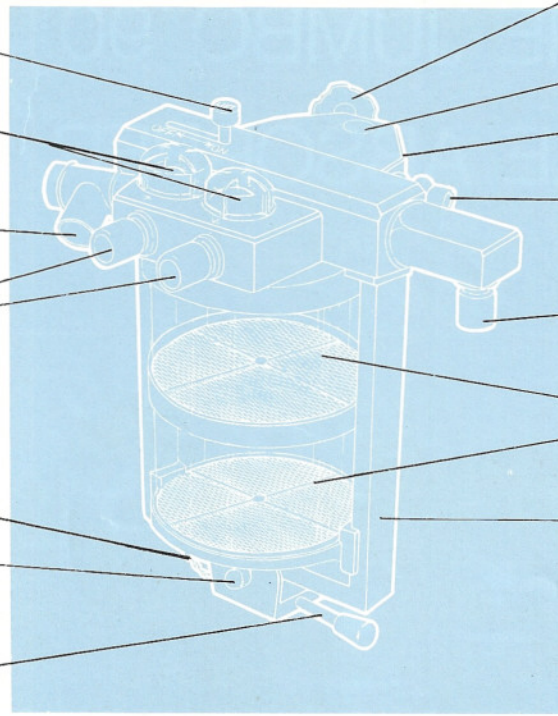
COMPLETE UNIT IS
FULLY AUTOCLAVABLE

FRESH GAS INLET

BAG MOUNT B.S./I.S.O.
22mm CONNECTOR

SODA LIME CANISTERS,
INTERCHANGEABLE, FOR
EFFICIENT USE OF
SODA LIME

STAINLESS STEEL CRADLE
FOR STRENGTH, INCORPORATING
EXPIRED GAS LIMB



8778-710 c/w DETACHABLES

ACCESSORIES

DETACHABLES

8778 821



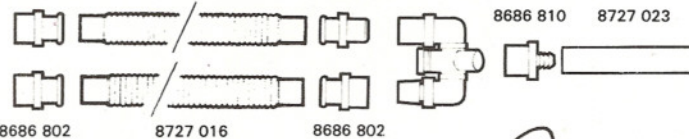
8655 818

8686 802

8727 016

8686 801

8686 813



8686 810

8727 023

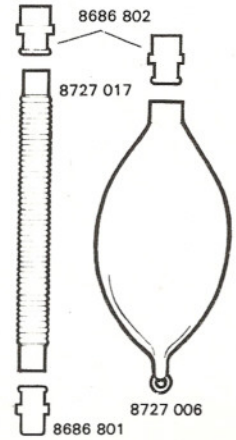
8686 802

8727 016

8686 802



8724 803



8686 802

8727 017

8727 006

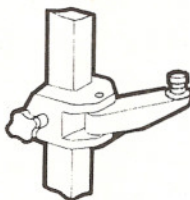
8686 801

**PRESSURE
MANOMETER**



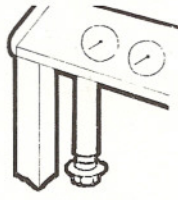
8666 814

**SWIVEL
BRACKET**



8722 633

**FIXED
BRACKET**



8778 820

DURASORB



8726 001 4½kg BOTTLE
8726 002 20kg DRUM
8726 003 2x4½kg PACK

VIOSORB



8726 801
8726 802
8726 803

MIE (in pursuing a policy of continued improvement) reserve the right to alter and improve the specification of any product without prior notification.

DISTRIBUTED BY



M.&I.E.
Dentsply